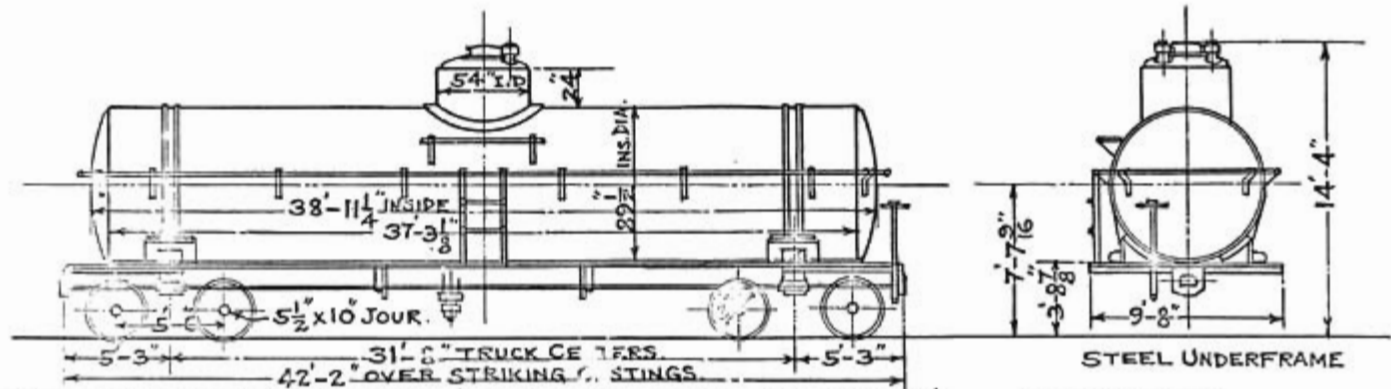


BUILDERS SPECIF. No. 990  
ORDER No. 2452

STEEL TANK CAR, CLASS TM  
BUILT BY GENERAL AMERICAN TANK CAR CORP.  
1929.  
SPEC. AAR III

CAR NoS. 1201-1250  
ORIG. No. OF CARS 50

REV.  
5-19-30.  
4-2-62



STEEL UNDERFRAME

SYDINGTON SIDE FRAME TRUCKS.  
CARDWELL DRAFT GEAR G-25AA-SPL  
AAR FRICTION BEARINGS

TRUCK CAPACITY	100000 LBS.
TANK	12500 GALS.

WEIGHT-BODY TRUCKS	
<b>TOTAL</b>	<b>52500 LBS.</b>

STEEL TANK CAR CLASS TM  
 BUILT BY ACF CO. MILTON, PA. 1912-13  
 SPEC. AAR II

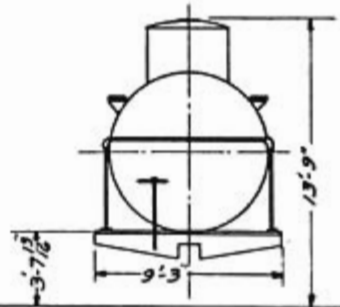
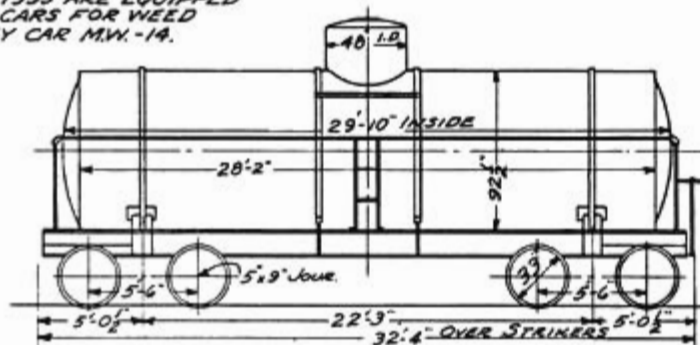
CAR Nos. 1301-1359  
 No. of Cars 59

NOTE:

CARS 1327 & 1355 ARE EQUIPPED  
 WITH ELECTRIC DRIVEN PUMP  
 FOR CAR OIL SERVICE.

RENUMBERED FROM 1081-1180 SERIES

CARS 1333 & 1335 ARE EQUIPPED  
 AS SOLUTION CARS FOR WEED  
 KILLER SPRAY CAR M.V. -14.



STEEL UNDERFRAME

TRUCK C.S. ANDREWS TYPE.  
 CARDWELL DRAFT GEAR  
 AAR FRICTION BEARINGS

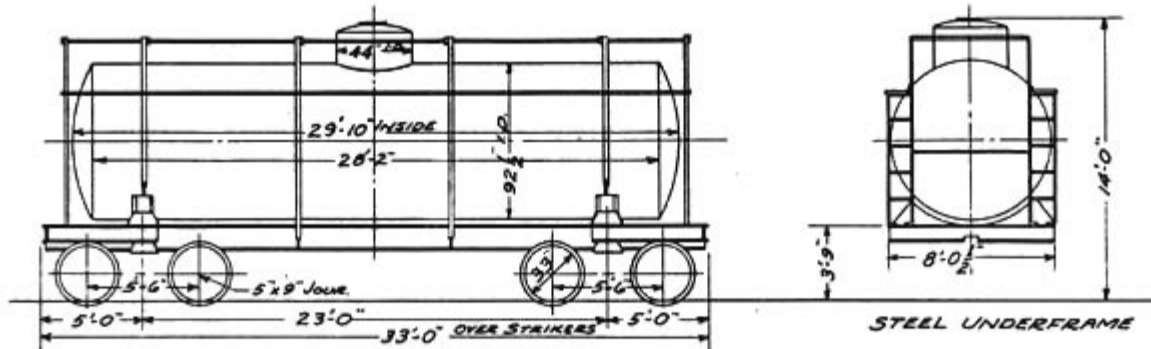
TRUCK CAPACITY...80000 LBS.  
 TANK CAPACITY...10040 GALS. AVG.

WEIGHT-BODY  
 TRUCKS \_\_\_\_\_  
 TOTAL 40500

TANK CARS, CLASS TM  
 BUILT BY A.C.F. CO., MILTON PA. 1912  
 SPEC AAR II

CAR Nos. 1361-1371  
 NO. OF CARS 11

RENUMBERED FROM 1021-1080 SERIES



TRUCKS C.S. ANDREWS TYPE  
 CARDWELL DRAFT GEAR  
 AAR FRICTION BEARINGS

RWC 4-3-62

TRUCK CAPACITY...80000 LBS.  
 TANK CAPACITY...10040 GALS. AVG.

WEIGHT - BODY  
 TRUCKS  
 TOTAL 40200