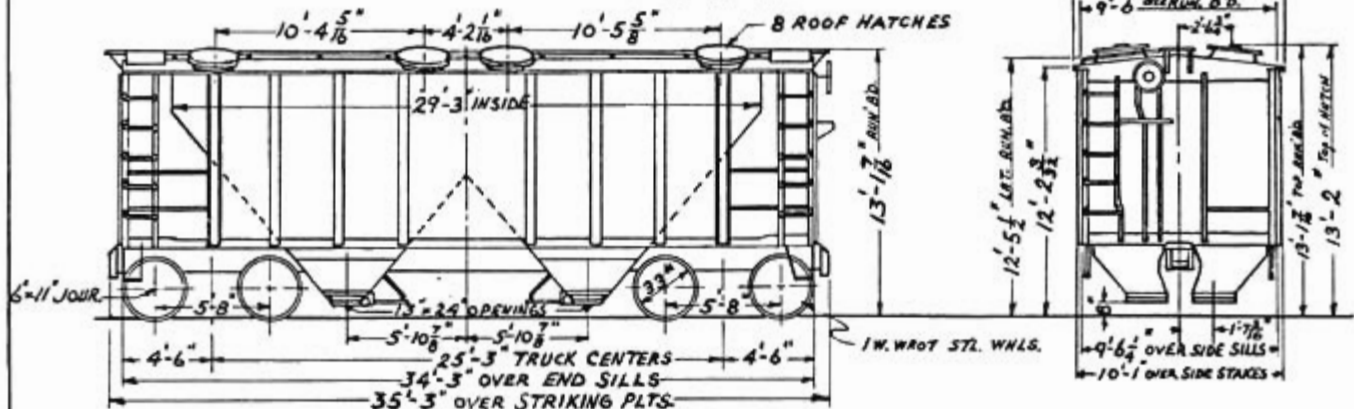


BUILDER'S LOT NO. 8303-E.

COVERED HOPPER CAR, CLASS LO
 BUILT BY PULLMAN STANDARD APRIL 1956
 AFE 94-56.

CAR Nos 11201-11210
 No. of CARS - 10.

REVISED:
 3-24-60



A.S.F. TYPE A-3 RIDE CONTROL TRUCKS.
 DRAFT GEAR, CARDWELL-WSTHSE. NY-11-F.
 HYATT ROLLER BEARINGS.

LENGTH INSIDE 29'-3"
 WIDTH " 9'-5 $\frac{1}{2}"$

CAPACITY 140000 LBS.
 " 2003 CU. FT.

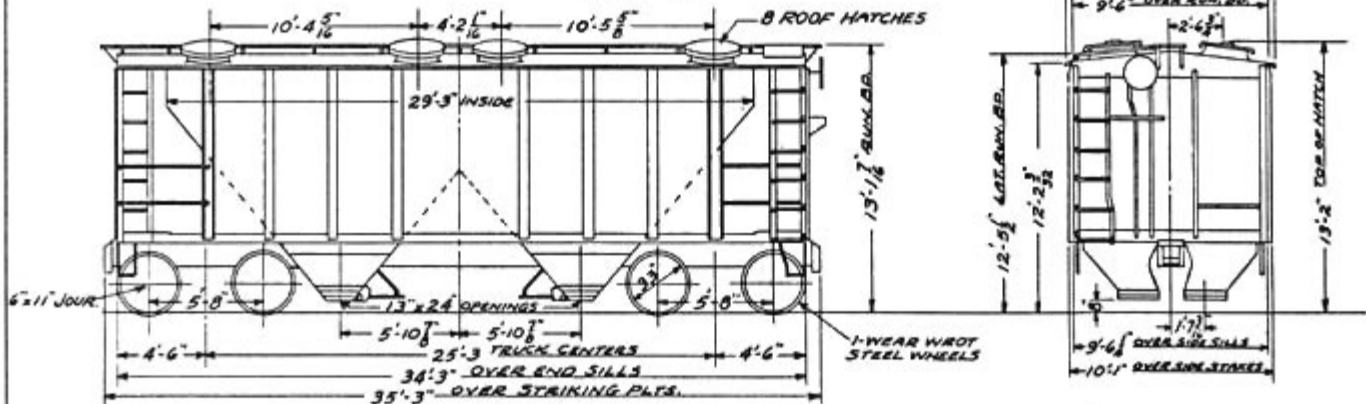
WEIGHT BODY 33990
 TRUCKS 16440

TOTAL 50430 LBS

BUILDERS LOT 8428

COVERED HOPPER CARS, CLASS LO
 BUILT BY PULLMAN STANDARD MAR. 1958
 AFE 10-58

CAR NOS. 11301-11330
 NO. OF CARS 30



ASF A-3 RIDE CONTROL TRUCKS	LENGTH INSIDE	$29'-3"$	CAPACITY	140000 LBS.	WEIGHT-BODY	33960
MINER A-22-XL DRAFT GEARS	WIDTH	$9'-5\frac{1}{2}"$	"	2003 CU FT	TRUCKS	16440
AAR FRICTION BEARINGS					TOTAL	50400 LBS

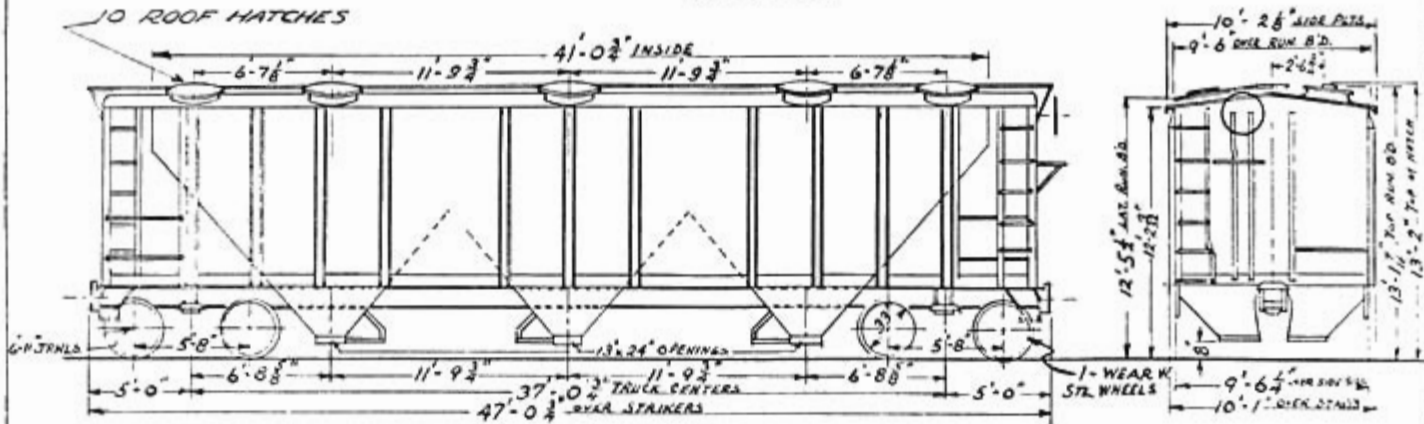
AWC 2-29-60

BUILDER'S LOT No. 8427

COVERED HOPPER CARS, CLASS LO
BUILT BY PULLMAN STANDARD FEB. 1958
AFE 10-58

CAR No. 11501-11510
ORIG. No. CARS - 10

REVISED:
3-29-60
6-23-67



RSF A-3 RIDE CONTROL TRUCKS
R-22-XL DRAFT GEAR
AAR FRICTION BEARINGS

LENGTH INSIDE
WIDTH "

41'-0 3/4"
9'-5 1/2"

CAPACITY
"

140 000 LBS
2893 CU. FT.

WEIGHT - BODY 44460
TRUCKS 16410
TOTAL 60900 LBS

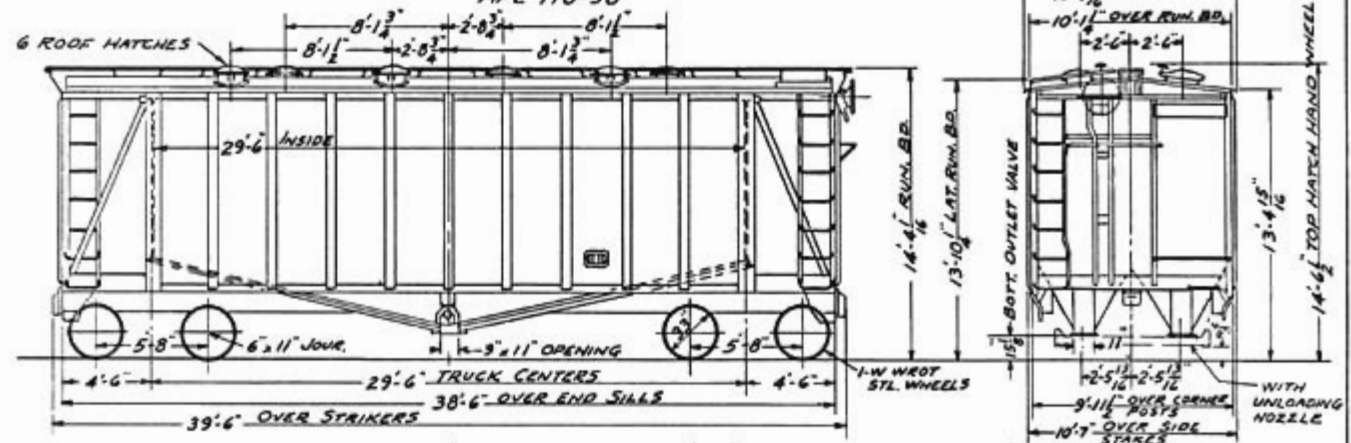
H.H.L. 1-6-58

BUILDERS SPEC. NO. 2676

AIRSLIDE COVERED HOPPER CAR, CLASS LO
 BUILT BY GENERAL AMERICAN TRANSPORTATION CORP. SEP. 1958
 AFE 118-58

CAR NOS. 11601-11604
 NO. OF CARS - 4

REVISED:
 3-28-60



TRUCKS, BARBER STABILIZED TYPE S-2-A
 DRAFT GEAR, AAR APPROVED
 AAR FRICTION BEARINGS

LENGTH INSIDE	29'-6"
WIDTH	9'-11"

CAPACITY	140,000 LBS.
	2600 CU. FT.

WEIGHT - BODY	40960
TRUCKS	16440
TOTAL	57400 LBS.

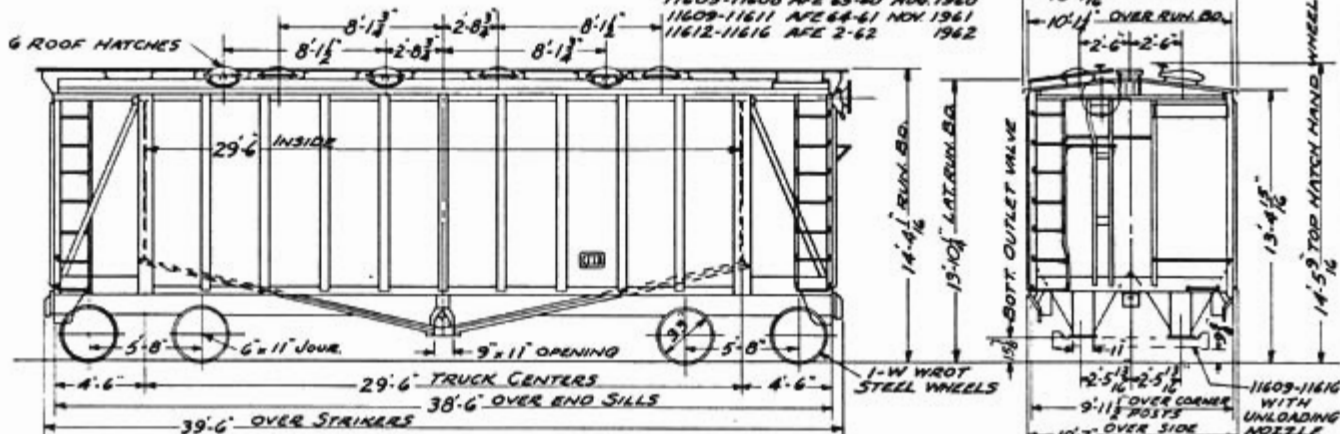
RWC 10-30-58

AIRSLIDE COVERED HOPPER CAR, CLASS LO
BUILT BY GENERAL AMERICAN TRANSPORTATION CORP.

CAR NOS. 11605-11616
NO. OF CARS-12

REV. 11-14-61
4-25-62

11605-11608 AFE 65-40 AUG. 1960
11609-11611 AFE 64-41 NOV. 1961
11612-11616 AFE 2-62 1962



TRUCKS, BARBER STABILIZED S-2-A
DRAFT GEAR, PEERLESS T-1
TIMKEN AP ROLLER BEARINGS

LENGTH INSIDE	29'-6"	CAPACITY	140,000 LBS
WIDTH	9'-11"		2600 CU.FT.

WEIGHT - BODY	40960
TRUCKS	16440
TOTAL	57400

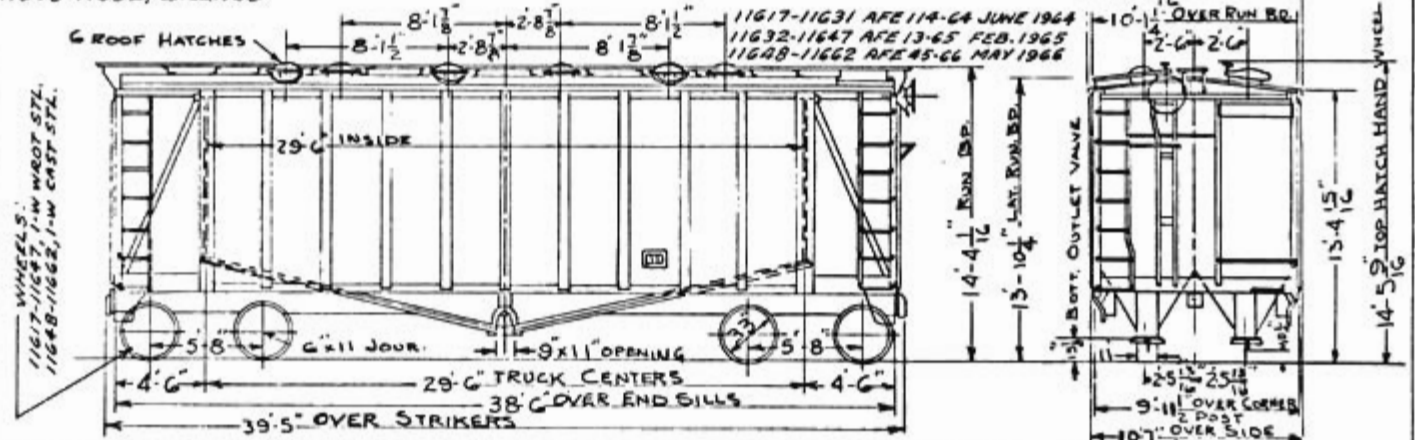
RWC 4-4-60

AIRSLIDE COVERED HOPPER CAR, CLASS-LO
 BUILT BY GENERAL AMERICAN TRANSPORTATION CORP.

ROLLER BEARINGS:
 11617-11647, TIMKEN
 11648-11662, BRENCO

CAR NOS. 11617-11662
 NO. OF CARS-46

REV. C-28-66



WHEELS:
 11617-11647, 1-W WROT STL.
 11648-11662, 1-W CAST STL.

11617-11631 AFE 114-64 JUNE 1964
 11632-11647 AFE 13-65 FEB. 1965
 11648-11662 AFE 45-66 MAY 1966

TRUCKS, BARBER STABILIZED S-2-A
 DRAFT GEAR, AAR APPROVED
 ROLLER BEARINGS: SEE ABOVE

LENGTH INSIDE	29'-6"	CAPACITY	140,000 LBS
WIDTH	9'-11"		2600 CU. FT.

WEIGHT-BODY	39660
TRUCKS	16440
TOTAL	56100

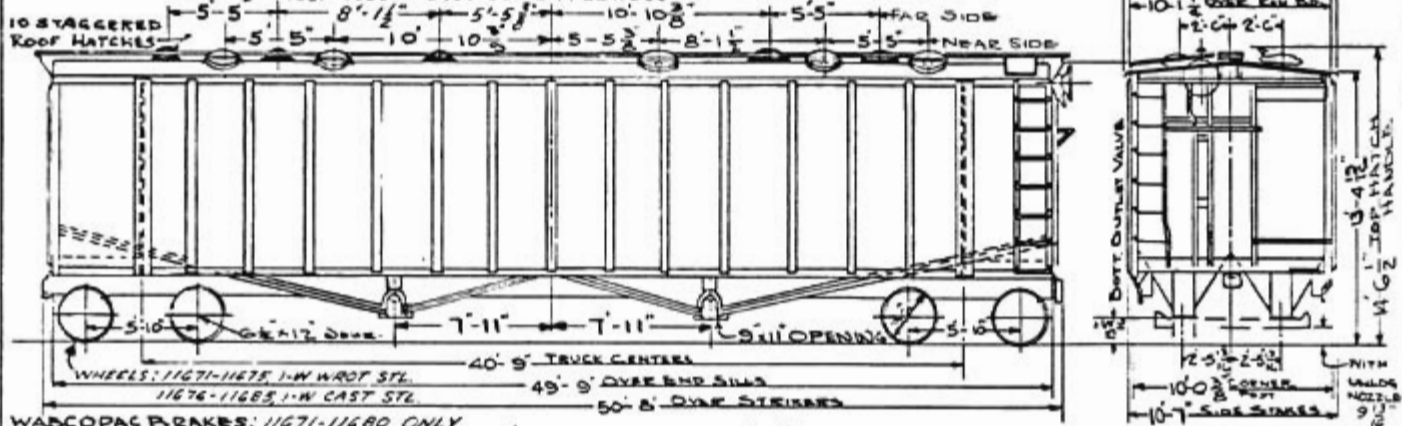
ROLLER BEARINGS:
11671-11680, TIMKEN
11681-11685, BRENCO

F 12-8-66

AIRSLIDE COVERED HOPPER CAR, CLASS-LO

BUILT BY GENERAL AMERICAN TRANSPORTATION CORP.
11671-11675 AFE 114-64 BLT MAY 1963, 11676-11680 AFE 159-65 BLT. NOV. 1965,
11681-11685 AFE 159-65 BLT. FEB. 1966

CAR NOS. 11671-11685
No. OF CARS-15



WABCO PAC BRAKES: 11671-11680 ONLY
TRUCKS, BARBER STABILIZED TYPE S-2-A
FRICTION, DRAFT GEAR, AAR APPROVED
ROLLER BEARINGS: SEE ABOVE

LENGTH INSIDE 48'-11"
WIDTH " 9'-11"

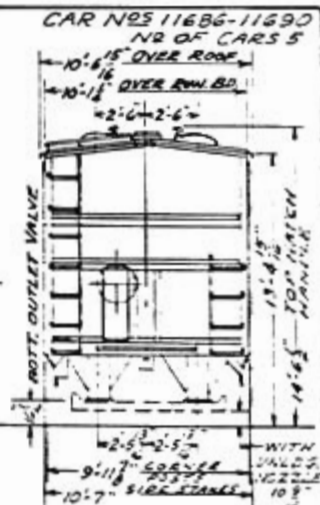
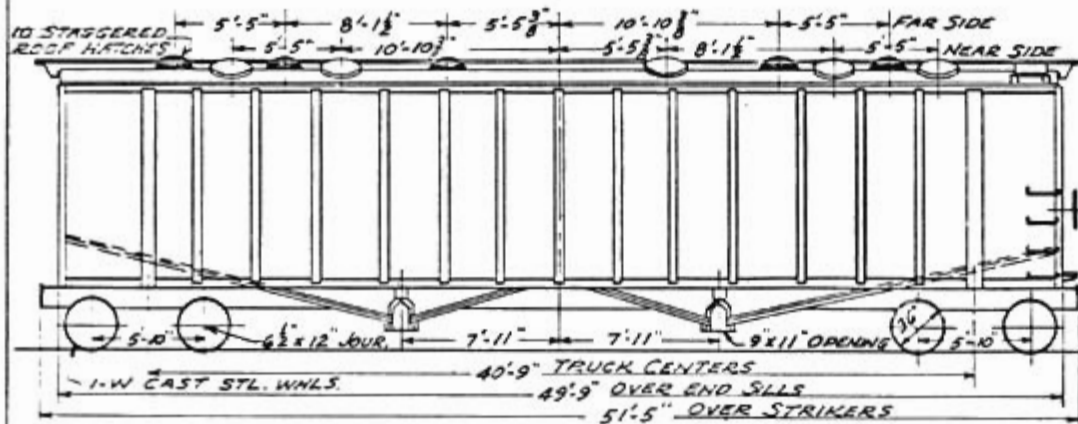
CAPACITY 188,000 LBS.
4,180 CUFT.

WEIGHT-BODY
- TRUCKS

TOTAL 72,000

JCS 1-25-65

AIRSLIDE COVERED HOPPER CAR, CLASS-LO
 BUILT BY GENERAL AMERICAN TRANSPORTATION CORP. SEPT. 1966
 AFE 129-66



TRUCKS BARBER STABILIZED TYPE S-2-A
 DRAFT GEAR, AAR APPROVED
 BRENCO ROLLER BEARINGS

LENGTH INSIDE 48'-11"
 WIDTH " 9'-11"

CAPACITY 190,000 LBS
 " 4,180 CU. FT.

WEIGHT-BODY
 " -TRUCKS

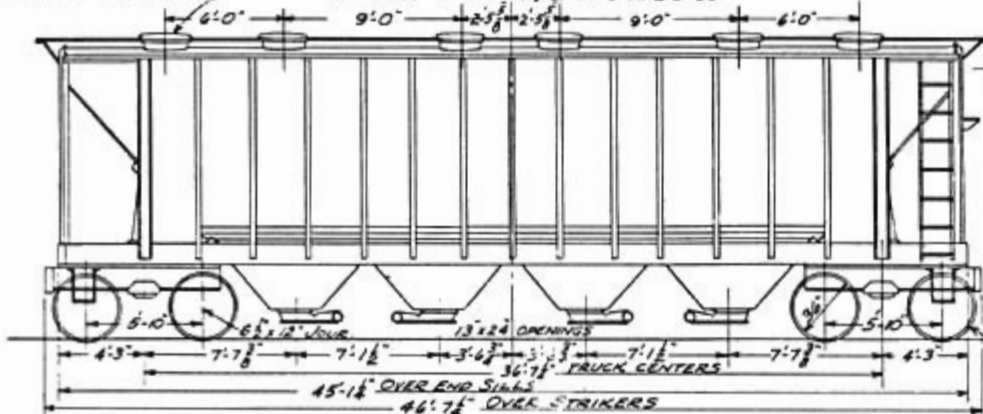
TOTAL 70,800

RWC 12-12-66

STAINLESS STEEL COVERED HOPPER CARS, CLASS LO
 BUILT BY THRALL CAR MFG. CO. SEPT 1962
 10 CARS AFE 1-62, 2 CARS AFE 6-63

CAR NOS 11701-11712
 NO. OF CARS 12

12 ROOF HATCHES,



REVISED
 6-23-67

WABCO PAC BRAKES, V-141 COBRA BRAKE SHOES
 ASF A-3 RIDE CONTROL TRUCKS
 DRAFT GEAR AAR APPROVED
 TIMKEN AP ROLLER BEARINGS

LENGTH INSIDE
 WIDTH

44'-7 1/8"
 9'-9 7/8"

CAPACITY

196,000 LBS.
 4000 CU. FT.

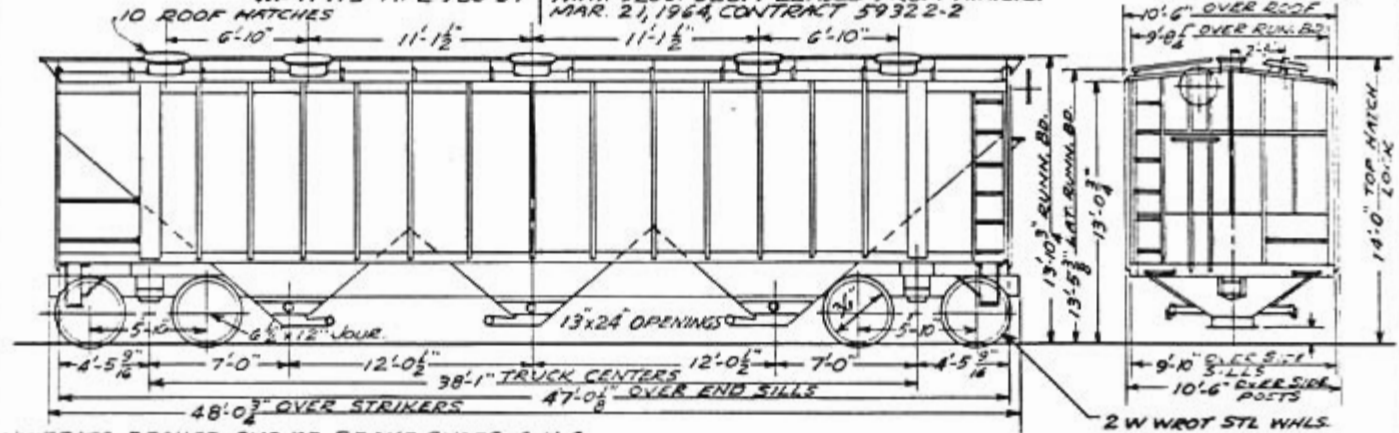
WEIGHT-BODY 42900
 TRUCKS 21600
 TOTAL 64500

RWC 12-3-62

STAINLESS STEEL COVERED HOPPER CARS, CLASS LO
 BUILT BY THRALL CAR CO. NOV. 1964
 WP11713 AFE 186-64 NIHX 92001-92017 LEASED FROM N.A.C.C.
 MAR. 21, 1964, CONTRACT 59322-2

CAR NOS. WP11713
 NIHX 92001-92017
 NO. OF CARS 18

REVISED
 6-23-67



UNIFRATE BRAKES ANCHOR BRAKE SHOES A-11-4	LENGTH INSIDE	47'-0"	CAPACITY	200,000 LBS.	WEIGHT- BODY
ASF A-3 RIDE CONTROL TRUCKS	WIDTH	9'-9 7/8"	"	4000 CU.FT.	TRUCKS
DRAFT GEAR AAR APPROVED					TOTAL
TIMKEN AP ROLLER BEARINGS					54000

RWC 5-13-66

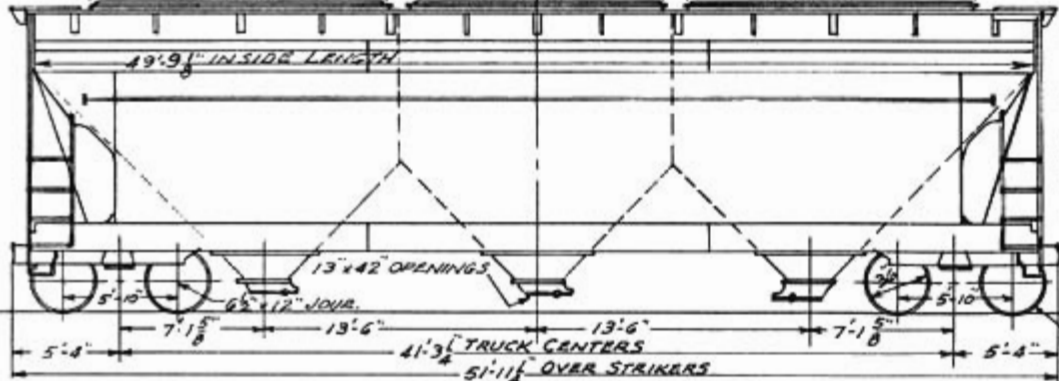
BUILDERS LOT No. 11-02641 CENTER FLOW COVERED HOPPER CAR CLASS LO

BUILT BY AMERICAN CAR FDRY. CO. MARCH 1967

3 ROOF HATCHES

15'-1 $\frac{3}{4}$ " HATCH OPENING
x 20"12'-7 $\frac{3}{4}$ " HATCH OPENING
x 20"15'-1 $\frac{3}{4}$ " HATCH OPENING
x 20"

AFE 42-67

49'-9 $\frac{1}{8}$ " INSIDE LENGTH

13" x 42" OPENINGS

6 $\frac{1}{2}$ " x 12" JOINT

5'-10"

7'-1 $\frac{5}{8}$ "

13'-6"

13'-6"

7'-1 $\frac{5}{8}$ "

5'-10"

5'-8"

7'-1 $\frac{5}{8}$ "

13'-6"

13'-6"

7'-1 $\frac{5}{8}$ "

5'-8"

41'-3 $\frac{1}{4}$ " TRUCK CENTERS51'-11 $\frac{1}{2}$ " OVER STRIKERS15'-2 $\frac{1}{4}$ " TOP OF RUNNY. 67

15'-6" EXTREME TOP OF HATCH

CAR Nos. 11751-11795

NO. OF CARS 45

10'-7 $\frac{3}{4}$ " OUTSIDE OF TANK10'-0 $\frac{5}{8}$ " OVER SCAPES8'-3 $\frac{3}{4}$ " OVER SILL

10'-1" OVER SIDE SILLS

10'-1" OVER SIDE SILLS

10'-1" OVER SIDE SILLS

10'-1" OVER SIDE SILLS

10'-1" OVER SIDE SILLS

10'-1" OVER SIDE SILLS

10'-1" OVER SIDE SILLS

10'-1" OVER SIDE SILLS

10'-1" OVER SIDE SILLS

10'-1" OVER SIDE SILLS

10'-1" OVER SIDE SILLS

10'-1" OVER SIDE SILLS

10'-1" OVER SIDE SILLS

10'-1" OVER SIDE SILLS

10'-1" OVER SIDE SILLS

10'-1" OVER SIDE SILLS

10'-1" OVER SIDE SILLS

10'-1" OVER SIDE SILLS

10'-1" OVER SIDE SILLS

10'-1" OVER SIDE SILLS

WABCO PAC BRAKES V-141 COBRA BRAKE SHOES

ASF A-3 RIDE CONTROL TRUCKS

DRAFT GEAR MINER FR-19

TIMKEN AP ROLLER BEARINGS

LENGTH INSIDE 49'-9 $\frac{1}{8}$ "WIDTH " 10'-7 $\frac{3}{4}$ "

CAPACITY

198,000 LBS.

4650 CU. FT.

WEIGHT-BODY 42900

TRUCKS 20400

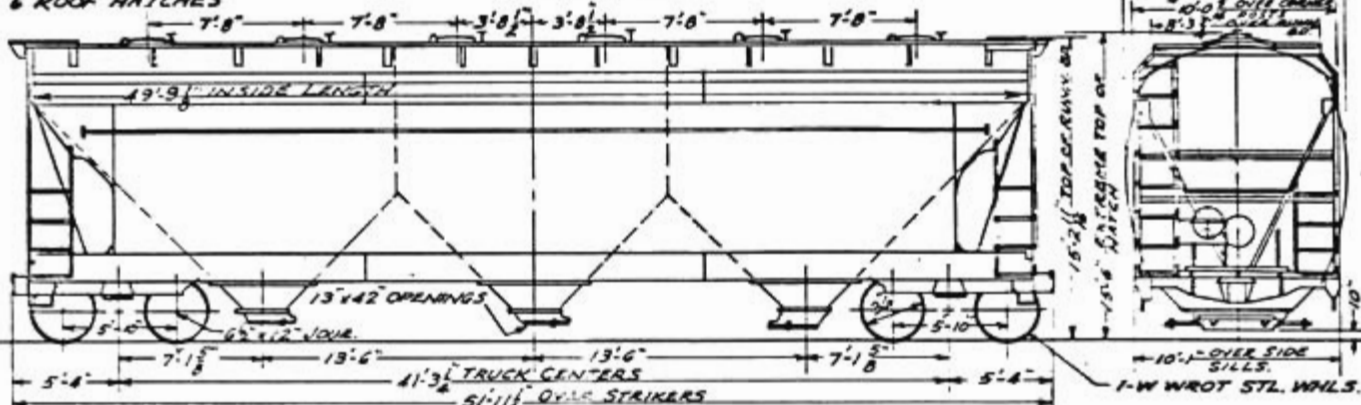
TOTAL 63300

BUILDERS LOT NO. 11-02642 CENTER FLOW COVERED HOPPER CAR CLASS LO
 BUILT BY AMERICAN CAR FDRY. CO. MARCH 1967
 AFE 42-67

CAR NOS. 11796-11800

NO. OF CARS 5

6 ROOF HATCHES



WASCO PAC BRAKES V-141 COBRA BRAKE SHOES

4-SF A-3 RIDE CONTROL TRUCKS

DRAFT GEAR MINER FR-19

TRUCKEN AP ROLLER BEARINGS

LENGTH INSIDE 49'-9 1/2"

WIDTH " 10'-7 1/2"

CAPACITY

198 000 LBS.

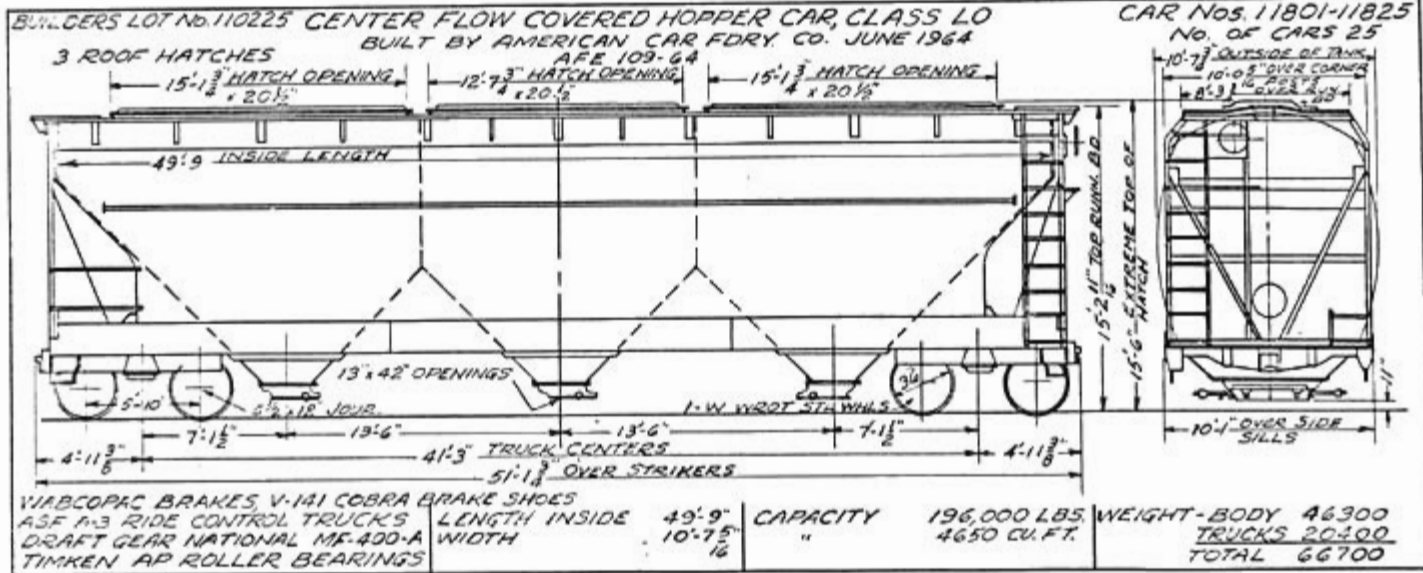
4650 CU.FT.

WEIGHT-BODY 42 000

TRUCKS 20 400

TOTAL 62 400

REV. 7-13-67



ENC 9-17-64

